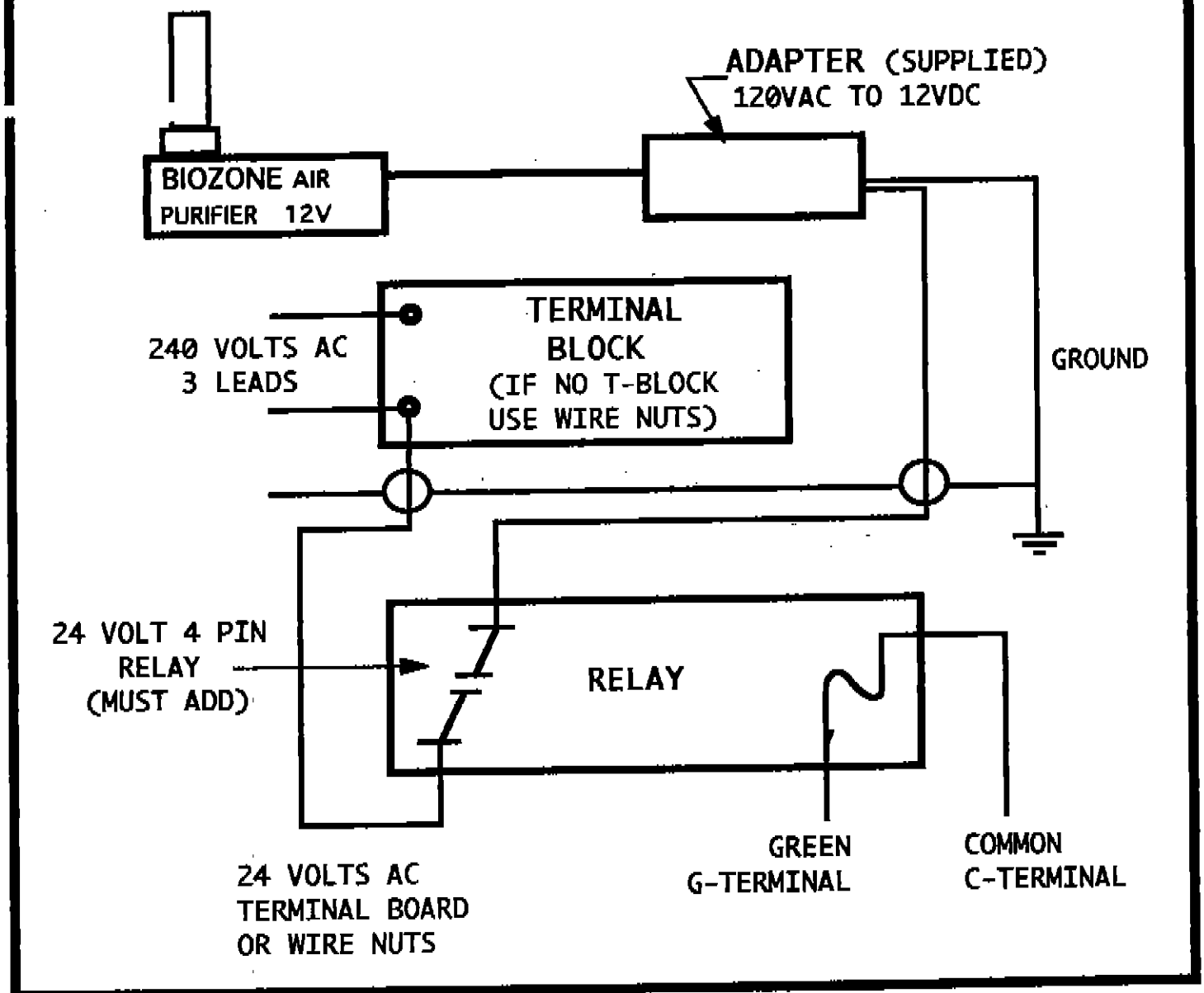


## UV LAMP BLOCK DIAGRAM FOR 24VAC FAN CIRCUIT



### INSTALLATION INSTRUCTIONS

- 1) Drill a 1 5/16" hole for the InDuct 1500/2500 OR a 1 3/4" for the InDuct 5000/10000 in the main air supply or return duct as close to the air handler and cooling coils as possible (different heating and air conditioning unit configurations may not allow this exact positioning). Drill the hole so lamp on the Biozone® InDuct Air Purifier will be centered in the air flow (as much as possible) and so the lamp is in a horizontal position.
- 2) Insert lamp into hole so that lamp socket is protruding through hole and housing is abutting duct. Affix unit to duct using duct tape or sheet metal screws on the units "wings".
- 3) The unit comes with an AC/DC adapter with a 12VDC cord on one end and an AC cord on the other. The 12VDC jack plugs into the bottom of the unit. The AC cord can be plugged into any AC outlet, wired into an AC source, or wired into the fan circuit (see attached wiring diagrams).